

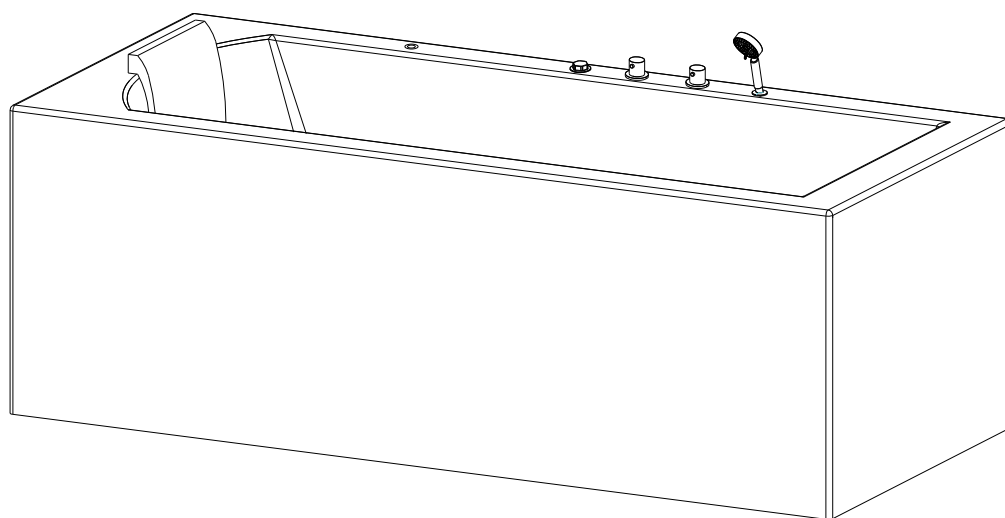
ARIEL

Whirlpool Installation Manual

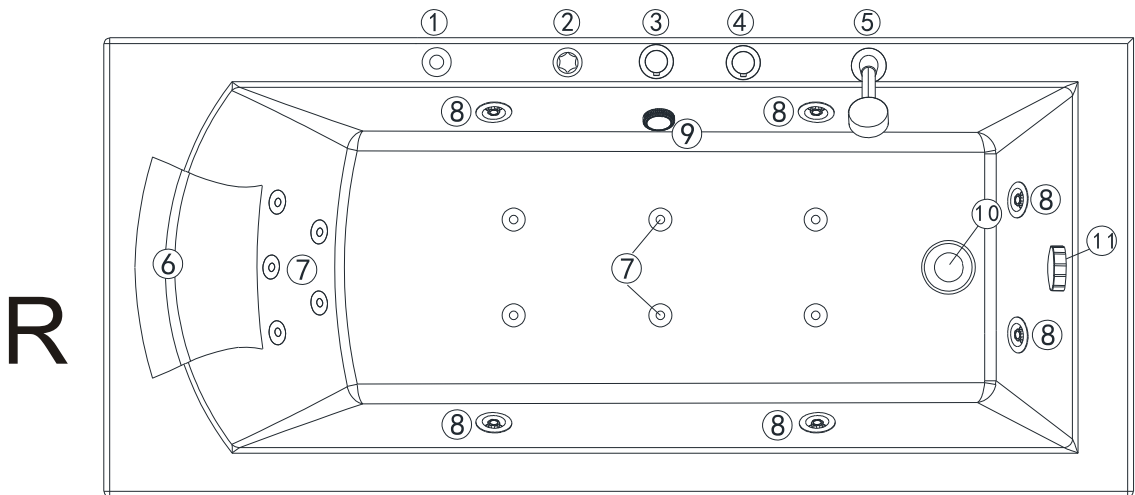
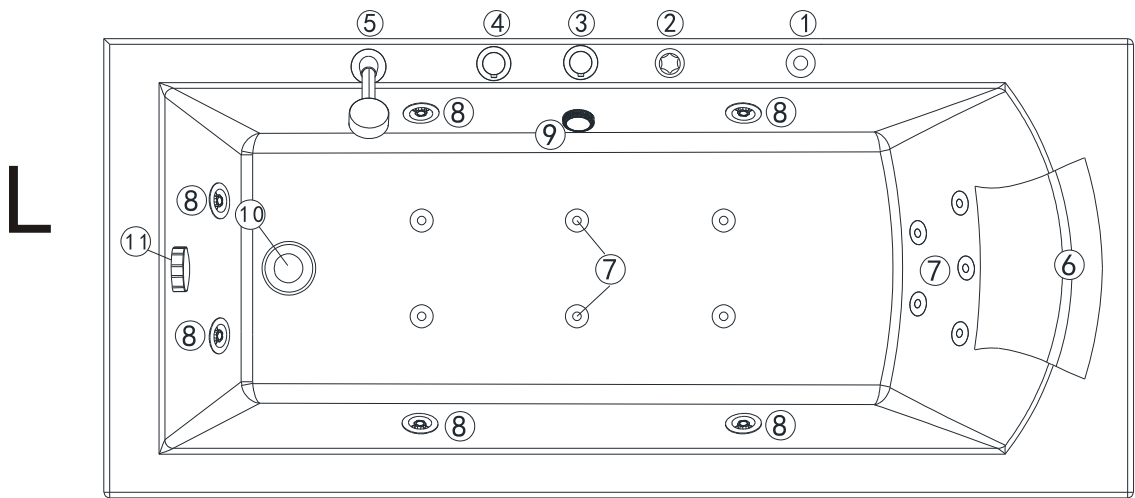
ARIEL

PW1545930LW1

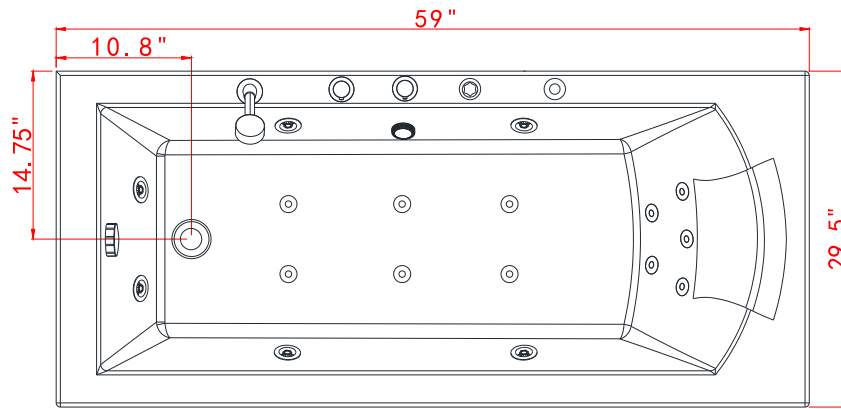
PW1545930RW1



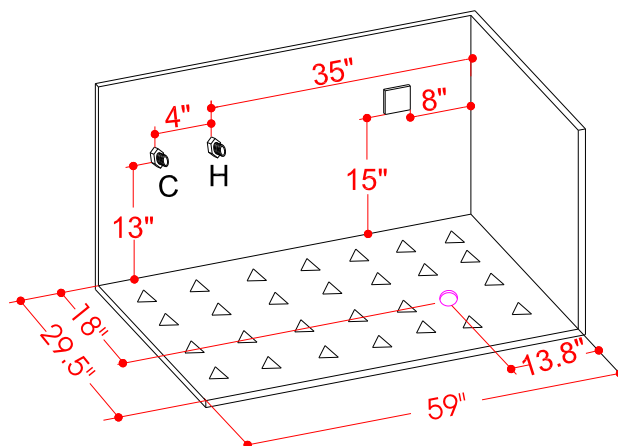
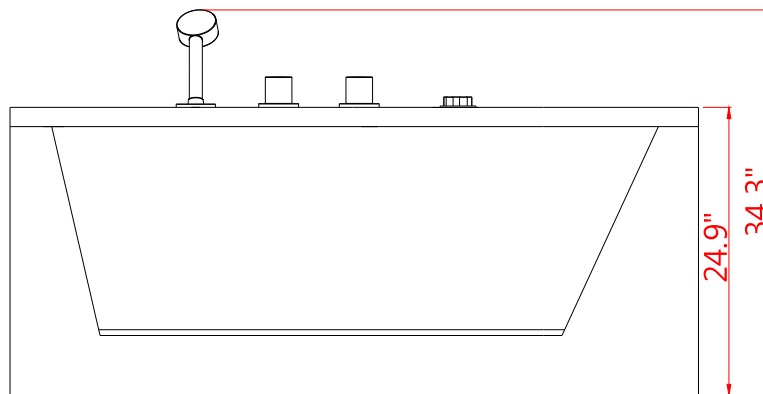
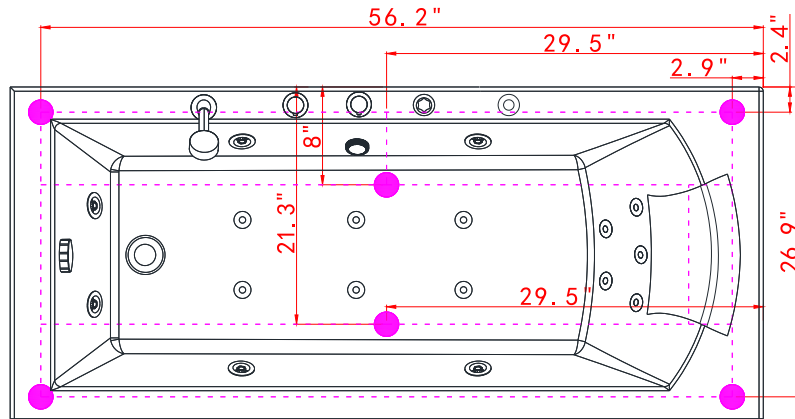
Serial Number:



No.	English	No.	English
1	Pneumatic Swith	7	Water Jet
2	Air Regulator	8	Multiple Direction Water Jet
3	Thermostatic Selector	9	Water Suction
4	Function Selector	10	Drain
5	Shower Wand	11	Overflow Drain & Drain Knob
6	Headrest		

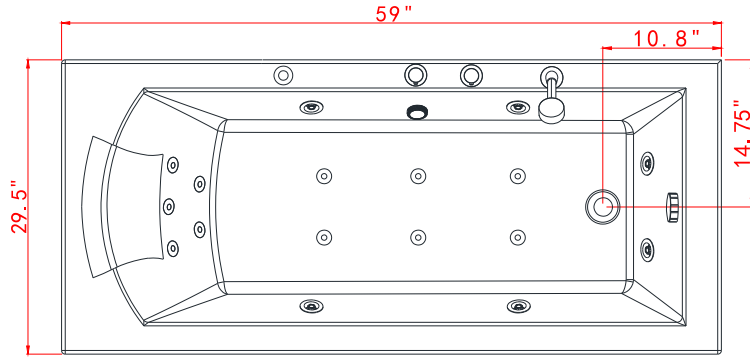


***Actual Drain-Cutout Location**

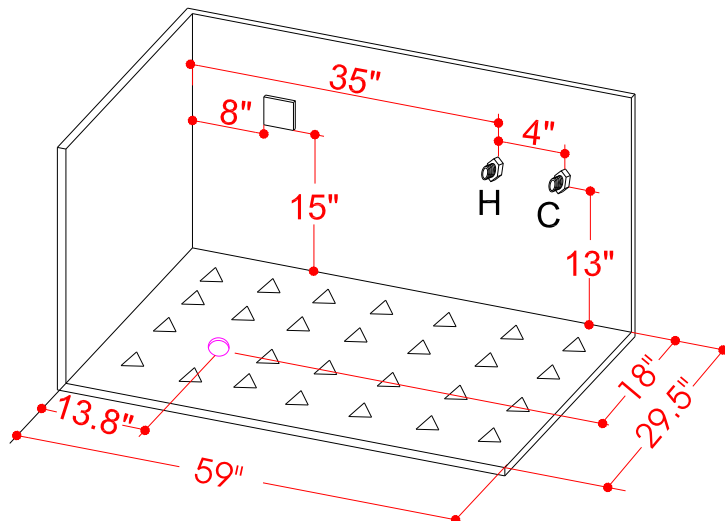
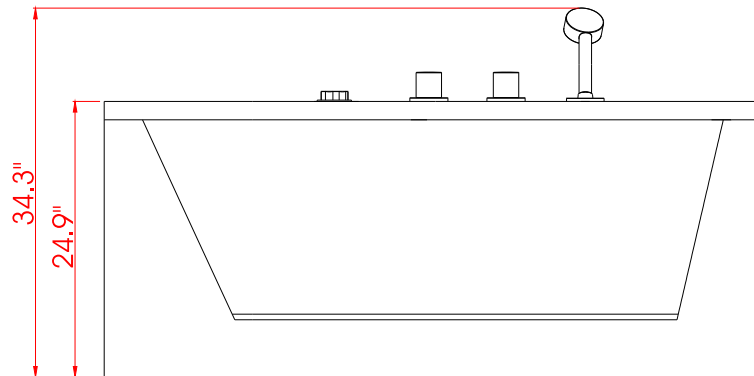
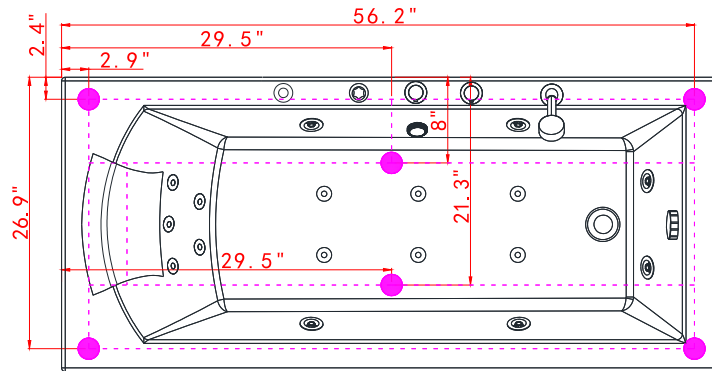


***Optional: Flex-Drain Drain Location**

All measurements are given in Inches
 Designs and sizes can vary. We accept no liability for errors,
 manufacturing tolerance and product changes.



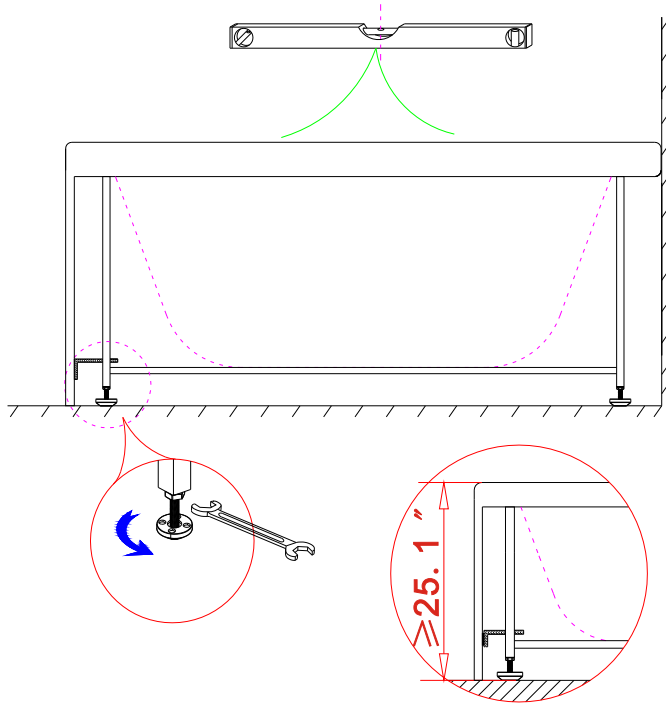
***Actual Drain-Cutout Location**



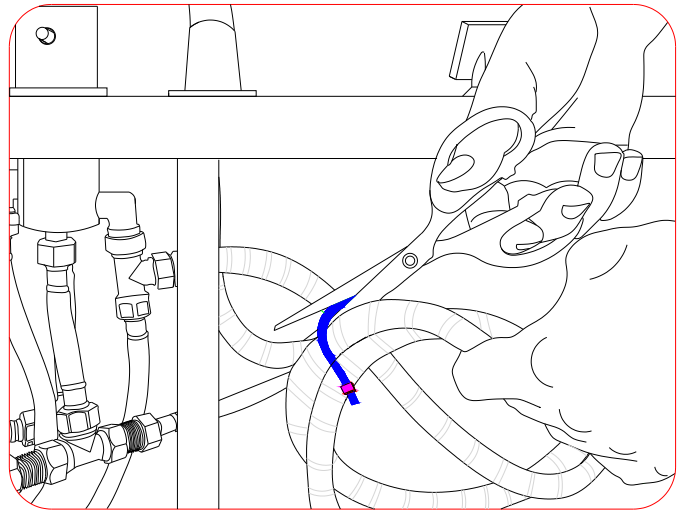
***Optional: Flex-Drain Drain Location**

All measurements are given in Inches
 Designs and sizes can vary. We accept no liability for errors,
 manufacturing tolerance and product changes.

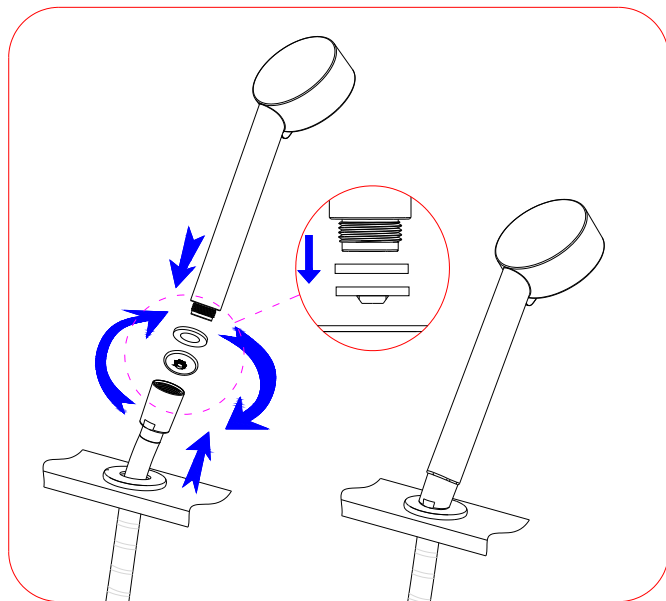
1



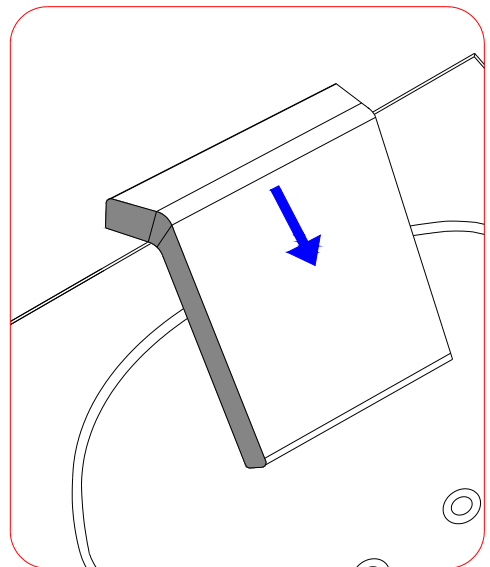
2



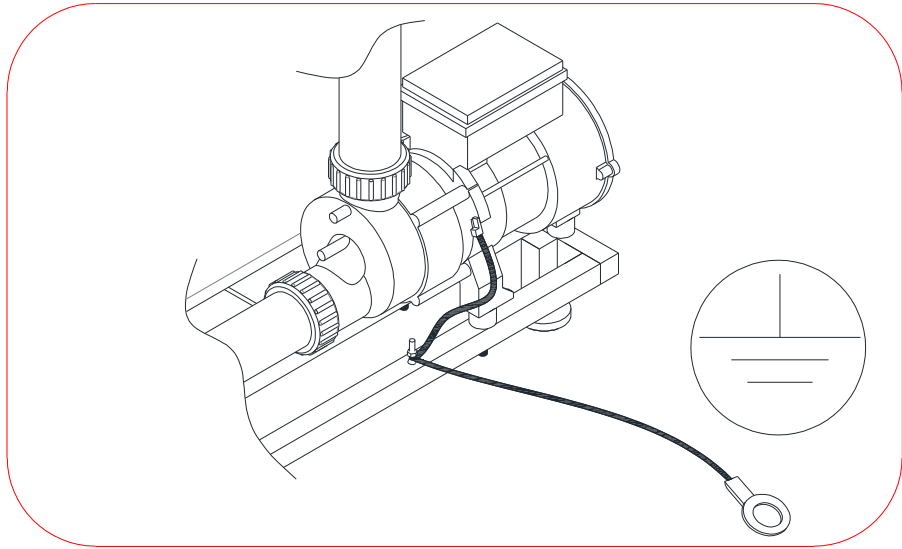
3



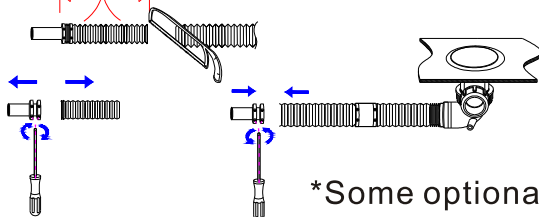
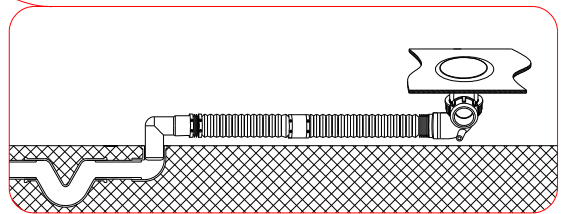
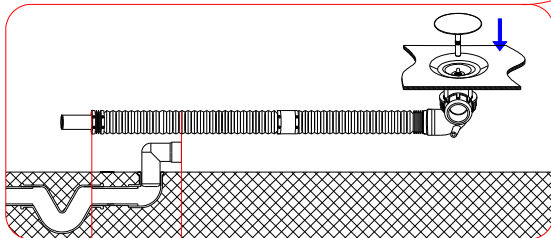
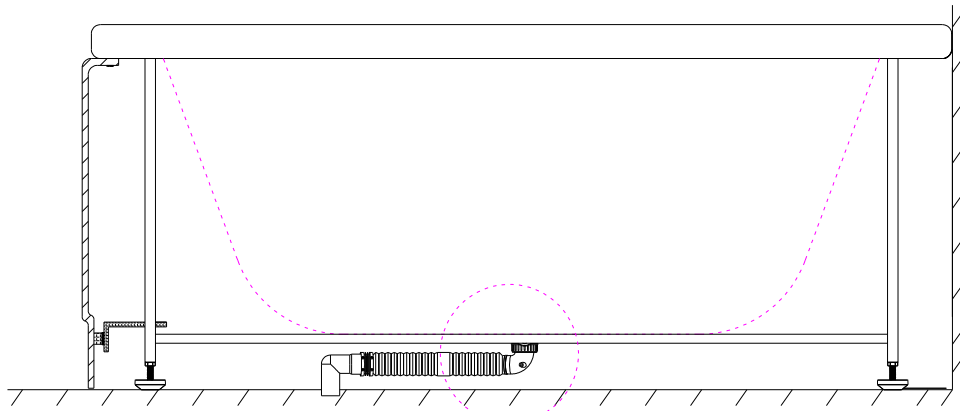
4



5

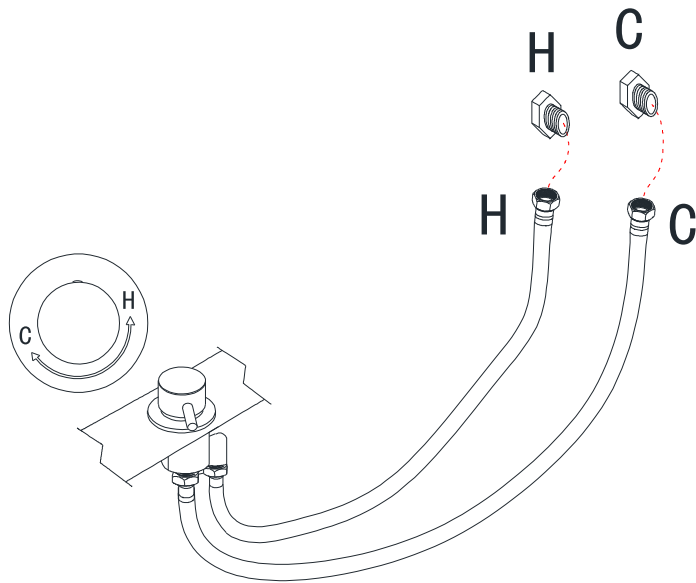


6



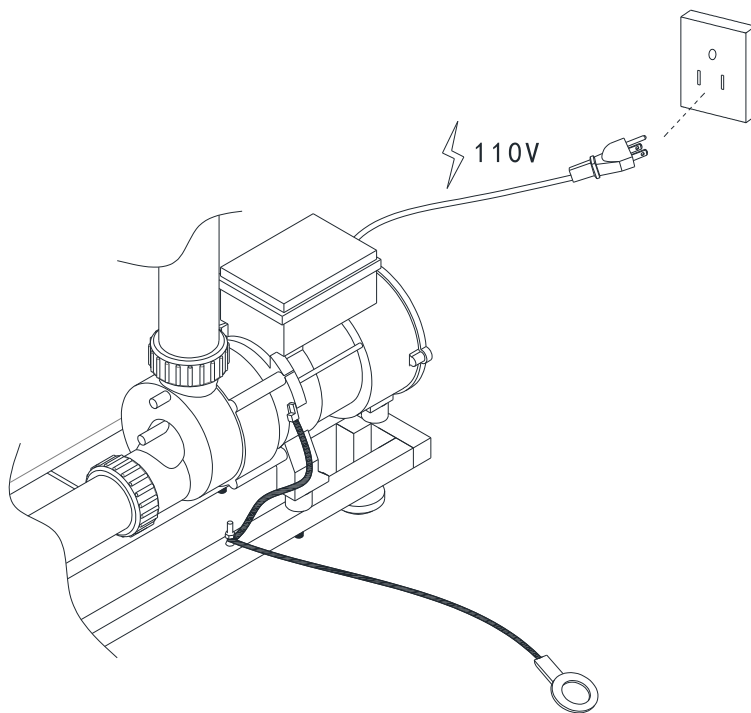
*Some optional features maybe shown: Flex-Drain Hose

7

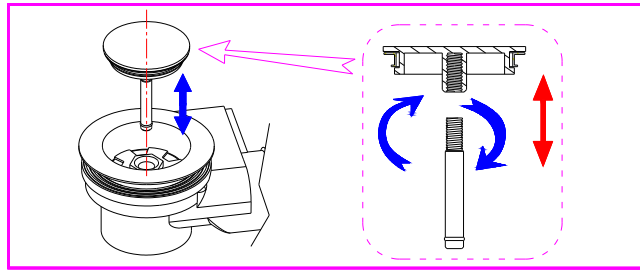
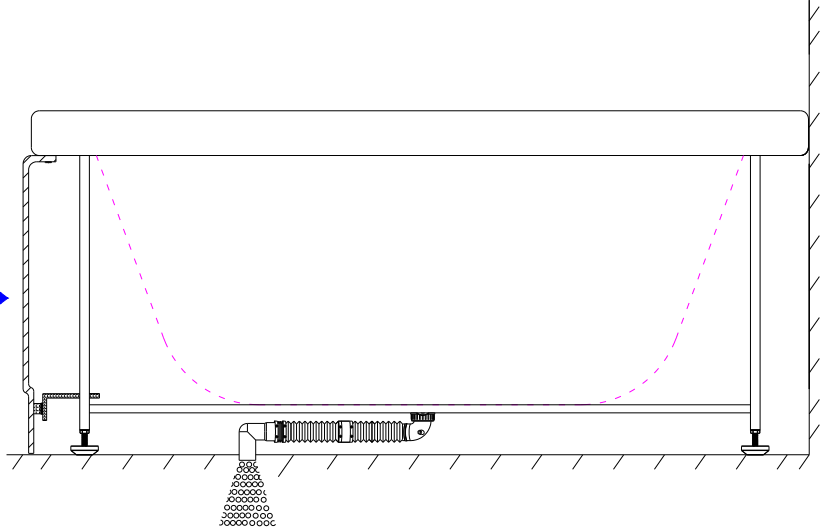
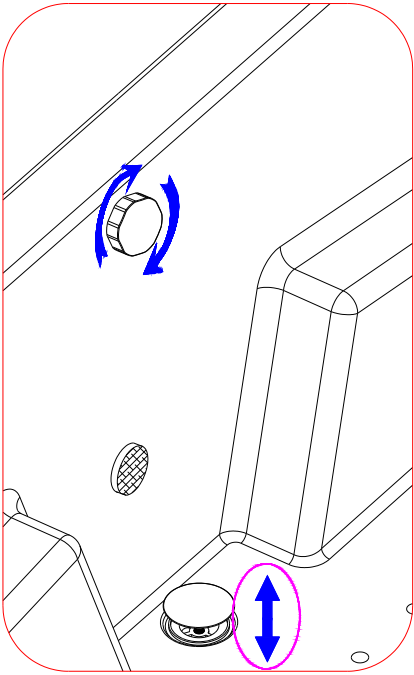


8

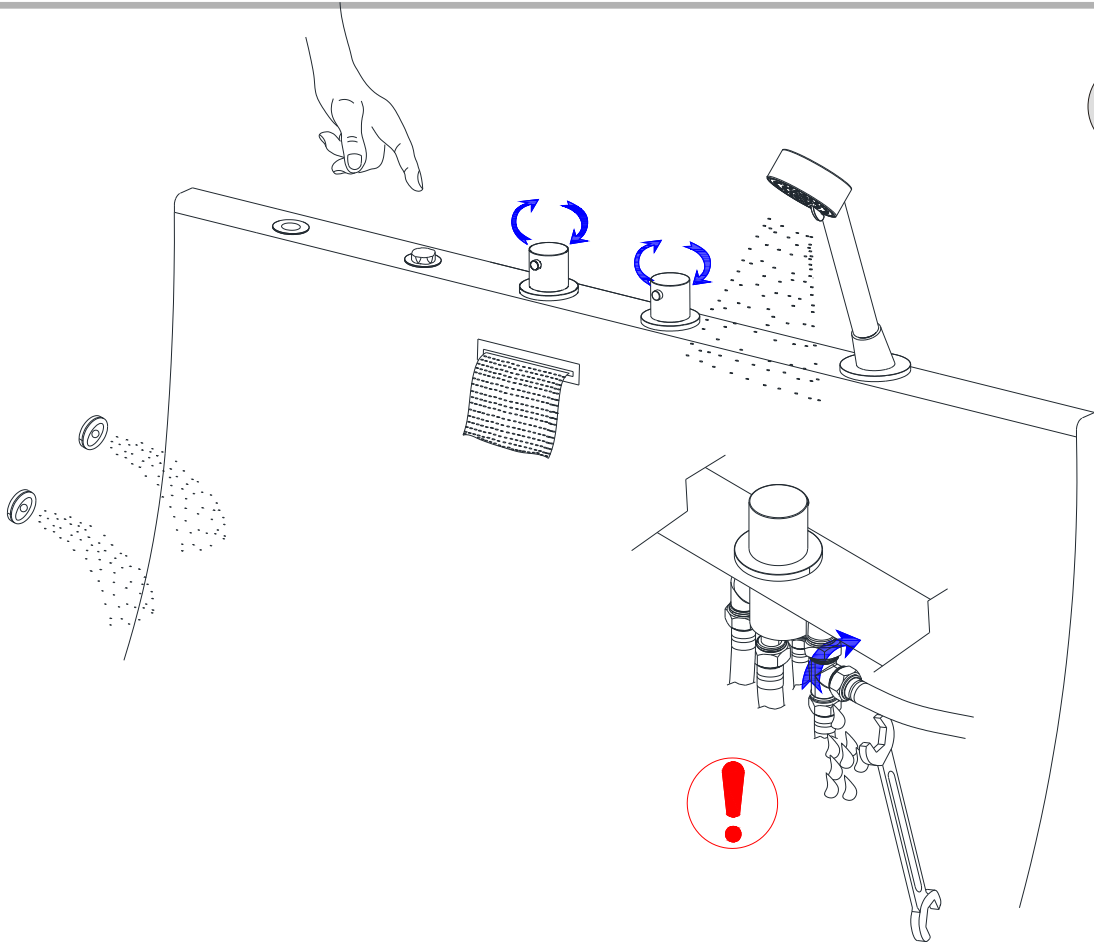
Power socket



9



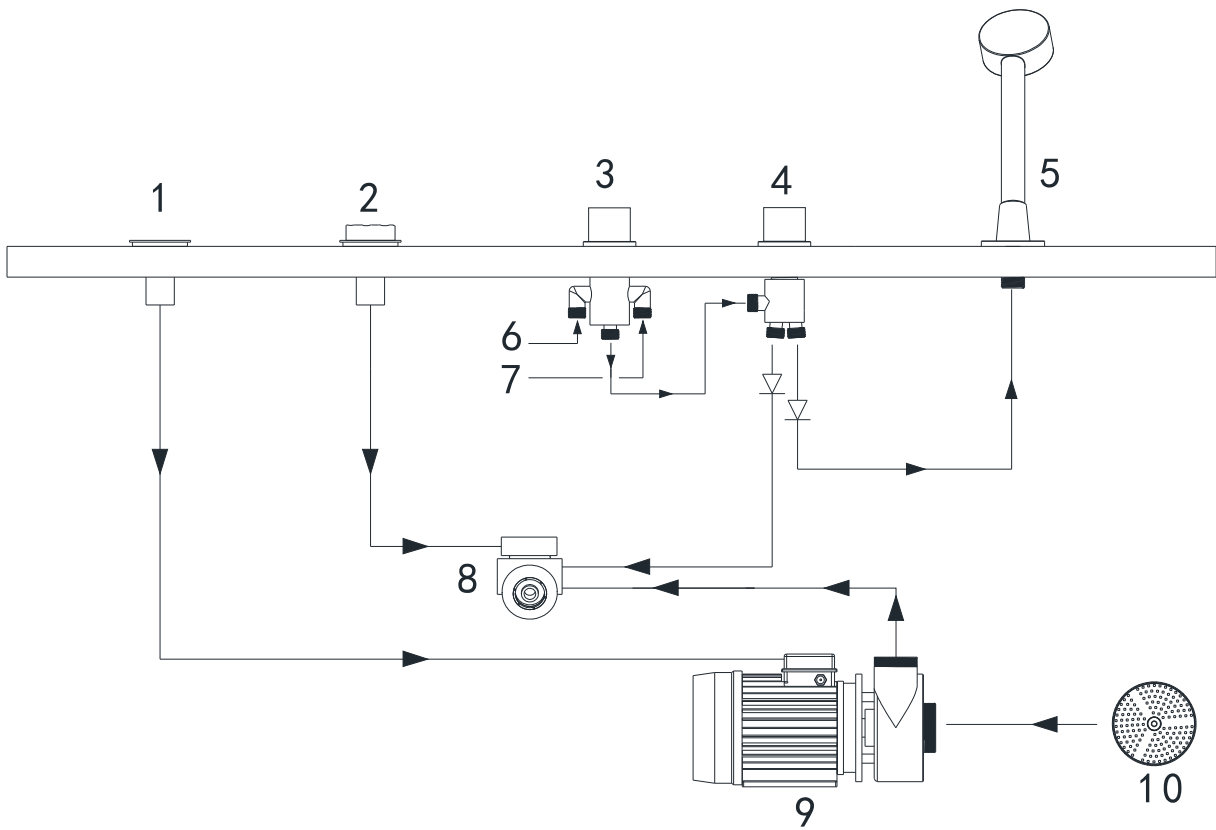
10



Technical Parameters

Rated Voltage	AC110-120V 60Hz
Rated Current	9A
Normal Rated Power	1100W
Recommended Power Service	GFCI-Protected 30A
Water Pipe Dimension	1/2"
Drainage Pipe Dimension	1 1/2" (40mm)
Max. Hot Water Temperature	176°F (80°C)
Recommended Hot Water	149°F (65°C)
Operating Pressure	Max 116 PSI (8 bar / 0.8 mPa)
Recommended Operating Pressure	14.5-72.5 PSI (1-5 bar / 0.1-0.5mPa)

Flowchart



No.	English	No.	English
1	Pneumatic Swith	6	Cold Water Supply Inlet
2	Air Regulator	7	Hot Water Supply Inlet
3	Thermostatic Selector	8	Water Jet
4	Function Selector	9	Water Pump
5	Shower Wand	10	Water Suction